

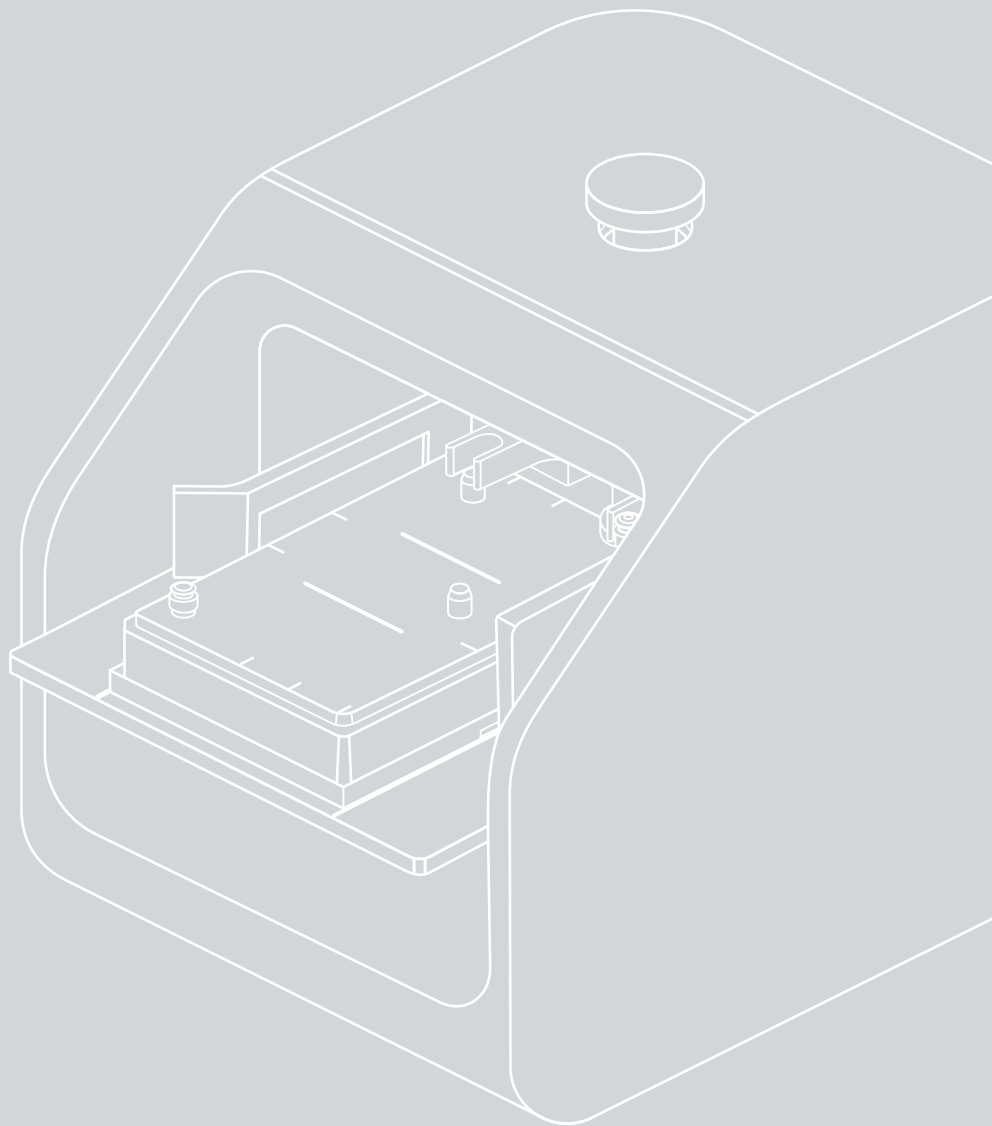
# EZHold™

## Instruction Guide

**Cat. No.**

AC0104 (C.BIRD EZHold)

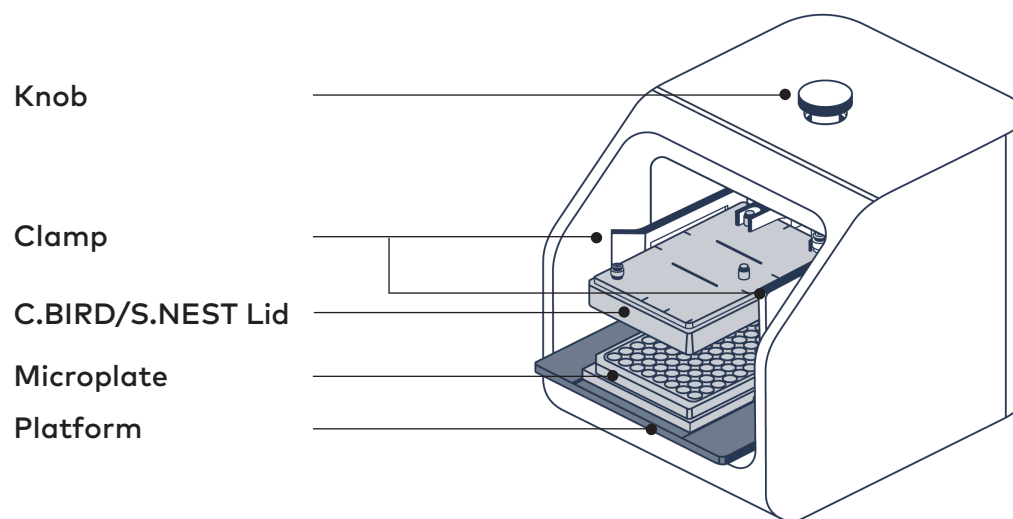
AS0101 (S.NEST EZHold)



## Product description

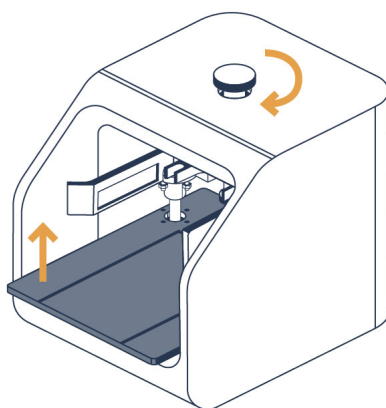
The EZHold Lid Holder attaches to a microbioreactor, helps separate the lid from the microplate, and enables adding supplements or other components into wells without cross contaminating samples.

## Instructions for use

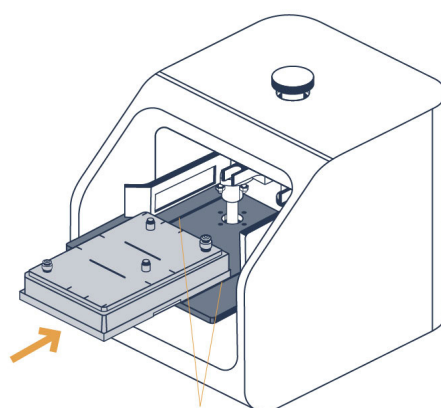


- **Separation**

1. Make sure the platform rises to its highest possible position by turning the knob clockwise until it is tight.

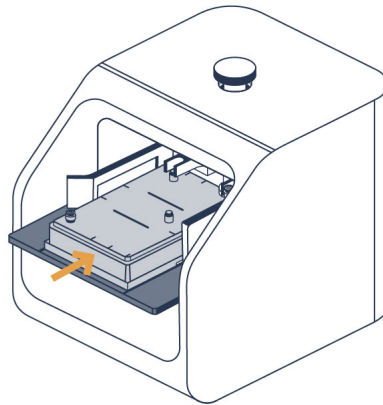


2. Place the plate/lid set onto the platform.



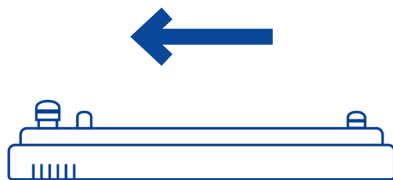
**Plate positioning grooves**

3. Push the plate/lid set forward into the EZHold until it is held tightly by the clamp.

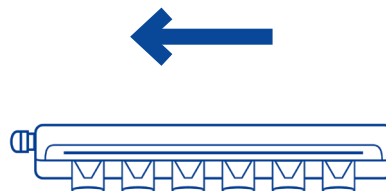


For C.BIRD lid, the two protruding ports on the top of the same side of the lid must be faced inward into the EZHold.

For S.NEST lid, the two air ports must be faced inward into the EZHold

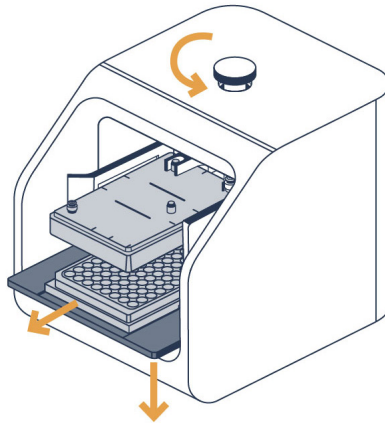


**C.BIRD Lid**



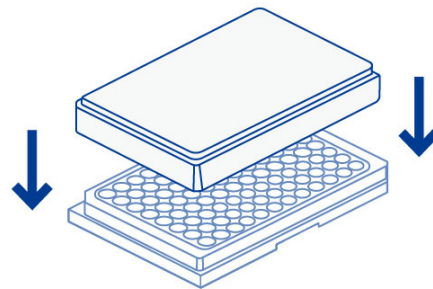
**S.NEST Lid**

4. Lower the platform by turning the knob counterclockwise.



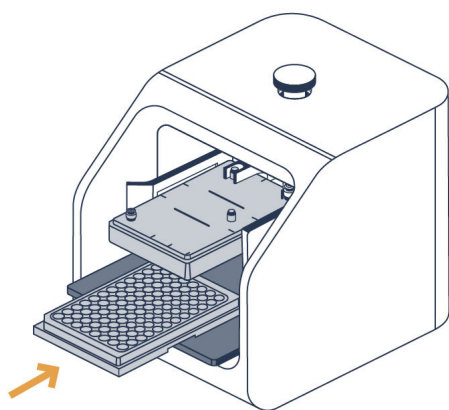
### Hint

To avoid contamination, cover the standard microplate lid before removing the plate.



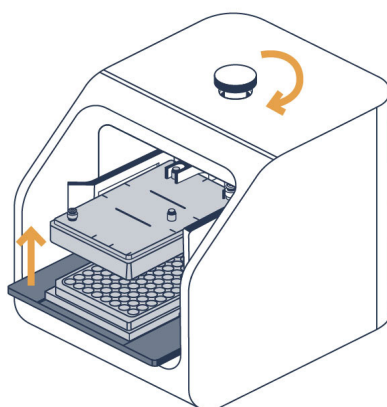
## • Assembling

1. Place the plate onto the platform. Make sure the plate is tightly positioned on the platform.



Push the plate forward  
to the very end

2. Raise the platform to the top by turning the knob clockwise; this ensures the plate is secured on top of the lid.



3. Remove the plate/lid set.

